

# HOLIDAY HOME WORK 2020

## CLASS – V

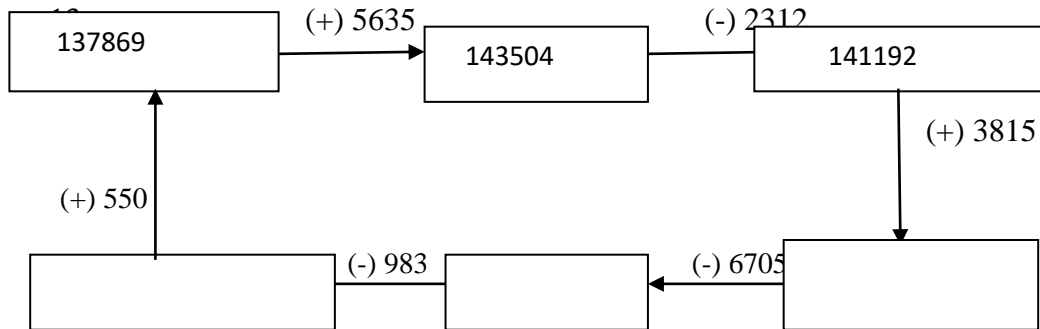
### ENGLISH

1. Write a paragraph on the following topics:
  - Safety measures during Corona pandemics.
  - Online study classes.
2. Write a letter to your friend telling him about the things that you have done during lock down period.
3. Learn and write verb tables (three forms of verb).
4. Learn three new words daily and write them in holiday homework daily.
5. Read moral stories daily and one you need to tell in class as school opens.
6. Memorize any one poem of your English reader.

### MATHS

- 1) LEARN TABLES 2 TO 20.  
DO GIVEN BELOW HOMEWORK IN FILE SHEET AND MAKE A FOLDER
- 2) USING COLOURED PAPERS,BEEDS AND OTHER THINGS  
MAKE A ABACUS ON A SHEET AND SHOW THESE TWO  
NUMBERS ON THEM
  - a) 56,02,130
  - b) 75,26,094
- 3) USING MATCHSTICKS. WRITE THESE ROMAN NUMERAL ON SHEET  
LIKE THIS
  - a)  $L + X + III = LXIII$
  - b)  $XL + V = XLV$
  - c)  $XC + V+I = XCVI$

4) FILL IN THE BOXES AND CHECK YOUR ANSWER



5) GIVEN BELOW ONE EXAMPLE (SEE THAT AND DO WHICH I HAVE GIVEN YOU)



USING ADDITION AND SUBTRACTION OF DIFFERENT NUMBERS AND DO IT FOR 675

NOTE: CHILDREN PLEASE COMPLETE YOUR PENDING WORK IN YOUR FAIR COPY

(WARM UP, CHAPTER 1 AND 2)

## COMPUTER

1. Learn all the questions chapter – 1, 2.
2. Chapter -3 for reading.
3. Attempt all the questions on page no – 121.

## HOLIDAY HOMEWORK

Class – EVS

Subject – V

1. Complete your pending work if it is.
2. Revise all the work done in your notebook.
3. Plant a seed on world environment Day on 5th June and click a picture with it after it becomes a sapling and paste it in a scrapbook. (If available )
4. Make a poster to bring awareness about conservation of plants.
5. Draw one diagram among these  
Human digestive system.  
OR  
Arrangement of teeth and different types of teeth.
6. Prepare a collage using pictures of birds and animals.

(NOTE– Children if you do not have file sheet or scrapbook then you can use A4 size Paper to complete your work.)

## GK

1. Learn all the chapter taught by the teacher.
2. Draw a national flag and colour it.
3. Write the name of all states of India and its capital on a chart paper.
4. Write the names of the following on a file sheet;
  - a) Prime Minister
  - b) President
  - c) Vice- President
  - d) Chief Minister of your state
  - e) Governor of your state

f) Chief of Army Staff

ग्रीष्मकालीन अवकाश हेतु गृहकार्य(2020- 2021)

विषय : हिन्दी                      कक्षा : पाँच

1. पाठ 1 'एक बनेंगे नेक बनेंगे' कविता याद करिए। 'सूरज' अथवा 'प्रातः काल' इन दो विषयों में से किसी एक पर एक छोटी कविता लिखकर उसका चित्र बनाइए।
2. ऑनलाईन शिक्षा के अनुभव बताते हुए अपने मित्र को एक पत्र लिखिए। अथवा
3. 'कोरोनाकोविड 19 से बचाव' विषय पर एक A4 आकार की ड्रॉइंग फ़ाईल शीट पर एक छोटा पोस्टर बनाइए एवम् एक स्लोगन लिखिए।
4. ऑनलाईन टीचिंग के ज़रिए करवाया गया समस्त कार्य अपनी हिन्दी की कॉपियों में पूरा करिए एवम् याद करिए।
5. अपनी प्रधानाचार्या को आवश्यक कार्य के लिए अवकाश हेतु प्रार्थना पत्र लिखिए।

नोट : 1. यह समस्त कार्य फ़ाईल शीट पर करें।